



# GLH SERIES

## Multi-Round Horizontal Housings

- Universal 2.5" OD cartridge filter housing
- Horizontal, ASME Design / Industrial Design
- SS304 and SS316 are NSF/ANSI 61 certified



Multi-purpose industrial ASME code ("U" & "UM") and non-code design housings.

### SUITABLE USES



Air & Gas



Desalination



Coolant



Water



Electronics



Coatings



Oil & Gas



Chemical



Pulp & Paper



Power



Marine



Equipment



Certified to NSF/ANSI 61

### MEDIA

Accepts multiple 10", 20", 30" or 40" cartridges  
Accepts industry standard double open end style cartridges  
Can be designed to accept single open end cartridges

### DESIGN PRESSURE

150psig (10.3bar) @ 250°F (121.1°C) design pressure

### AVAILABLE MATERIALS

Carbon or Stainless Steel 304 or 316\*. Also available in LDX2101, C276, AL6XN, 2205, 2507 & Monel 400.

*\*NSF/ANSI 61 certification available for SS304 and SS316 (S4GLH/S6GLH).*

### ADDITIONAL FEATURES

Swing bolt closure allows for quick element change out

*Custom sizes, configurations, materials of construction and other options may be available. Please contact Fil-Trek*

*For drawings, flow charts, custom applications and filter cartridge information please visit Fil-Trek.com*

# GLH SERIES

## Multi-Round Horizontal Housings

- Cartridge Filter Housing
- Horizontal Design
- ASME Design / Industrial Design



## HOUSING SPECIFICATIONS

\*Indicates standard configuration

|                             |   |
|-----------------------------|---|
| <b>Inlet/Outlet</b>         | Flange or NPT   |
| <b>Dirty Drain</b>          | 1" NPT on GLH16 and smaller<br>2" NPT on GLH18 and larger                               |
| <b>Clean Drain</b>          | 1" NPT on GLH16 and smaller<br>2" NPT on GLH18 and larger                               |
| <b>Vent</b>                 | ½" NPT on all sizes   |
| <b>Gauges</b>               | ½" NPT on all sizes   |
| <b>Closure</b>              | Swing bolt closure, CSYZP   |
| <b>Headlift</b>             | Mechanical Davit on GLH12 and larger (std)<br>Hydraulic Davit on GLH40 and larger (std) |
| <b>Legs</b>                 | Welded angle iron legs w/ footpads  |
| <b>Standard Pressure</b>    | 150 PSIG<br>*Other pressures available  |
| <b>Standard Temperature</b> | 400°F (204°C)<br>*Other temperatures available  |
| <b>Certifications</b>       | ASME Section VIII, Div. I<br>U, UM, CE, NB, CRN   |

## MODEL FLOW RATES

| Model | # of Filters |       | Flow Rate |          | Max Inlet/Outlet (IN) |
|-------|--------------|-------|-----------|----------|-----------------------|
|       | 2.5"         | 2.75" | GPM 2.5   | GPM 2.75 |                       |
| GLH12 | 12           | 7     | 240       | 140      | 3"                    |
| GLH13 | 14           | 9     | 280       | 180      | 3"                    |
| GLH14 | 17           | 12    | 340       | 240      | 4"                    |
| GLH16 | 20           | 15    | 400       | 300      | 4"                    |
| GLH18 | 29           | 20    | 580       | 400      | 6"                    |
| GLH20 | 34           | 25    | 680       | 500      | 6"                    |
| GLH22 | 42           | 30    | 840       | 600      | 6"                    |
| GLH24 | 53           | 40    | 1060      | 800      | 8"                    |
| GLH26 | 62           | 50    | 1240      | 1000     | 8"                    |
| GLH28 | 70           | 60    | 1400      | 1200     | 8"                    |
| GLH30 | 87           | 75    | 1740      | 1500     | 10"                   |
| GLH32 | 103          | 80    | 2060      | 1600     | 10"                   |
| GLH34 | 110          | 90    | 2200      | 1800     | 12"                   |
| GLH36 | 126          | 105   | 2520      | 2100     | 12"                   |
| GLH38 | 140          | 115   | 2800      | 2300     | 14"                   |
| GLH40 | 150          | 125   | 3000      | 2500     | 14"                   |
| GLH42 | 178          | 140   | 3560      | 2800     | 14"                   |
| GLH44 | 190          | 155   | 3800      | 3100     | 14"                   |
| GLH46 | 205          | 175   | 4100      | 3500     | 14"                   |
| GLH48 | 225          | 185   | 4500      | 3700     | 16"                   |
| GLH50 | 245          | 200   | 4900      | 4000     | 16"                   |
| GLH52 | 266          | 225   | 5320      | 4500     | 16"                   |
| GLH54 | 290          | 230   | 5800      | 4600     | 18"                   |
| GLH56 | 316          | 255   | 6320      | 5100     | 18"                   |
| GLH58 | 335          | 275   | 6700      | 5500     | 18"                   |
| GLH60 | 360          | 295   | 7200      | 5900     | 20"                   |
| GLH62 | 390          | 325   | 7880      | 6500     | 20"                   |
| GLH64 | 410          | 350   | 8200      | 7000     | 20"                   |
| GLH66 | 450          | 370   | 9000      | 7400     | 24"                   |

Flow rates based on water at 5gpm/10" (Assuming 40" Cartridges). Actual Flow rate is dependent on fluid viscosity, cartridge micron rating, contaminant and type of media.

## MATERIAL OF CONSTRUCTION

| MATERIAL OF CONSTRUCTION | MAX. OPERATING PRESSURE | MAX. DESIGN TEMP |
|--------------------------|-------------------------|------------------|
| Carbon Steel             | 150 psi (10.3bar)       | 400°F (204.4°C)  |
| 304 Stainless Steel*     | 150 psi (10.3bar)       | 400°F (204.4°C)  |
| 316 Stainless Steel*     | 150 psi (10.3bar)       | 400°F (204.4°C)  |

\*NSF/ANSI 61 certification available for SS304 and SS316 (S4GLH/S6GLH).



55 Stafford Court, Cambridge, ON N1T 1B3 P (519) 623-7448 F (519) 623-8807

For more information, e-mail: [info@fil-trek.com](mailto:info@fil-trek.com) or visit [Fil-Trek.com](http://Fil-Trek.com)

# GLH SERIES

## Multi-Round Horizontal Housings

- Cartridge Filter Housing
- Horizontal Design
- ASME Design / Industrial Design



## HOUSING OPTIONS

\*Indicates standard configuration

**Configuration** (-) **E - Top In/End Out\***

**Options** C - Side In/End Out  
(at right)

**Finish** (-) **External paint "National Blue" (std for carbon steel \***

**Options** (-) **Bead Blast (std for stainless steel 304 and 316)\***  
EP1 – Electro polish Inside/Outside  
EP2 – Inside only  
EP3 – Outside only  
PP – Passivation

**O-Ring** (-) **BN – Buna-N\***

**Options** ED – EPDM  
VI – Viton  
SI – Silicone  
TEV – Teflon encapsulated Viton  
TF – Teflon

**Head Lift** (-) **K1 – Head lift\***

**Options** K2 – Hinge

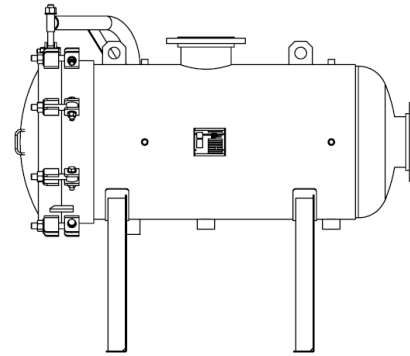
**Filter** (-) **E1 – Double Open End\***

**Configuration** E2 – DOE with Gasket Ends  
E3 – DOE with 1" Ext. Core  
E4 – SOE Flat End 222 Open End  
E5 – SOE Fin End 222 Open End  
E8 – SOE Plastic Spring Top 222  
E9 – SOE Plastic Spring Top

**Accessories** Direct Reading Gauge, DP Gauges, Safety Relief Valves,  
Vent Valves, Drain Valves, Air Eliminator

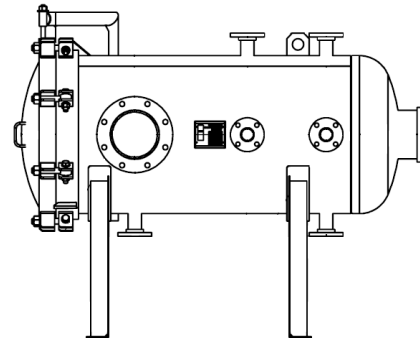
### E Top In/End Out\*

Side View



### C Side In/End Out

Side View



## PRODUCT NOMENCLATURE

| S6   | GLH                                 | 14               | 17              | 4              | 4F              | -  | -                   |
|--|-------------------------------------|------------------|-----------------|----------------|-----------------|--|---------------------|
| MATERIAL                                     | MODEL                               | HOUSING DIAMETER | # OF CARTRIDGES | LENGTH         | CONNECTION TYPE | CONFIGURATION                                    | OPTIONS             |
| (-) - Carbon<br>S4 - SS304**<br>S6 - SS316** | GLH – ASME Code*<br>EGLH – Non-Code | See Table        | See Table       | 3-30"<br>4-40" | See Table       | (-) – Top Side In/End Out<br>C – Side In/End Out | See Housing Options |

\*GLH series is an ASME code stamped housing. This vessel is also available in an industrial non-code design. For non-code, add the prefix "E" to the GLH in the part number.

\*\*NSF/ANSI 61 certification available for SS304 and SS316 (S4GLH/S6GLH).



55 Stafford Court, Cambridge, ON N1T 1B3 P (519) 623-7448 F (519) 623-8807

For more information, e-mail: [info@fil-trek.com](mailto:info@fil-trek.com) or visit [Fil-Trek.com](http://Fil-Trek.com)

# GLH SERIES

## Multi-Round Horizontal Housings

- Cartridge Filter Housing
- Horizontal Design
- ASME Design / Industrial Design



## MODEL DIMENSIONAL DETAILS

| MODEL | SHIPPING WGT (LBS) | A                  | B   | C   | D   | E    |
|-------|--------------------|--------------------|-----|-----|-----|------|
| GLH12 | 250                | 12 $\frac{1}{8}$ " | 8"  | 36" | 36" | 58"  |
| GLH13 | 300                | 13 $\frac{1}{8}$ " | 10" | 36" | 36" | 58"  |
| GLH14 | 365                | 14 $\frac{1}{8}$ " | 12" | 36" | 36" | 58"  |
| GLH16 | 425                | 16 $\frac{1}{8}$ " | 14" | 36" | 36" | 58"  |
| GLH18 | 500                | 18 $\frac{1}{8}$ " | 15" | 36" | 36" | 60"  |
| GLH20 | 600                | 20 $\frac{1}{8}$ " | 16" | 36" | 36" | 62"  |
| GLH22 | 900                | 22 $\frac{1}{8}$ " | 16" | 36" | 36" | 66"  |
| GLH24 | 975                | 24 $\frac{1}{8}$ " | 17" | 36" | 36" | 66"  |
| GLH26 | 1100               | 26 $\frac{1}{8}$ " | 18" | 36" | 36" | 67"  |
| GLH28 | 1400               | 28 $\frac{1}{8}$ " | 20" | 36" | 36" | 68"  |
| GLH30 | 1600               | 30 $\frac{1}{8}$ " | 21" | 36" | 36" | 69"  |
| GLH32 | 1750               | 32 $\frac{1}{8}$ " | 22" | 36" | 36" | 69"  |
| GLH34 | 1925               | 34 $\frac{1}{8}$ " | 24" | 36" | 36" | 70"  |
| GLH36 | 2100               | 36 $\frac{1}{8}$ " | 24" | 36" | 36" | 72"  |
| GLH38 | 2400               | 38 $\frac{1}{8}$ " | 27" | 36" | 36" | 73"  |
| GLH40 | 2700               | 40 $\frac{1}{8}$ " | 27" | 36" | 36" | 74"  |
| GLH42 | 2900               | 42 $\frac{1}{8}$ " | 29" | 36" | 36" | 75"  |
| GLH44 | 3300               | 44 $\frac{1}{8}$ " | 29" | 36" | 36" | 80"  |
| GLH46 | 3700               | 46 $\frac{1}{8}$ " | 29" | 36" | 36" | 82"  |
| GLH48 | 4100               | 48 $\frac{1}{8}$ " | 29" | 36" | 36" | 84"  |
| GLH50 | 4500               | 50 $\frac{1}{8}$ " | 32" | 36" | 36" | 86"  |
| GLH52 | 4900               | 52 $\frac{1}{8}$ " | 32" | 36" | 36" | 88"  |
| GLH54 | 5500               | 54 $\frac{1}{4}$ " | 37" | 43" | 43" | 91"  |
| GLH56 | 6000               | 56 $\frac{1}{8}$ " | 37" | 43" | 43" | 94"  |
| GLH58 | 6600               | 58 $\frac{1}{8}$ " | 37" | 43" | 43" | 96"  |
| GLH60 | 7000               | 60 $\frac{1}{8}$ " | 37" | 43" | 43" | 98"  |
| GLH62 | 7500               | 62 $\frac{1}{8}$ " | 39" | 43" | 43" | 101" |
| GLH64 | 8000               | 64 $\frac{1}{8}$ " | 39" | 43" | 43" | 104" |
| GLH66 | 8500               | 66 $\frac{1}{8}$ " | 40" | 43" | 43" | 107" |

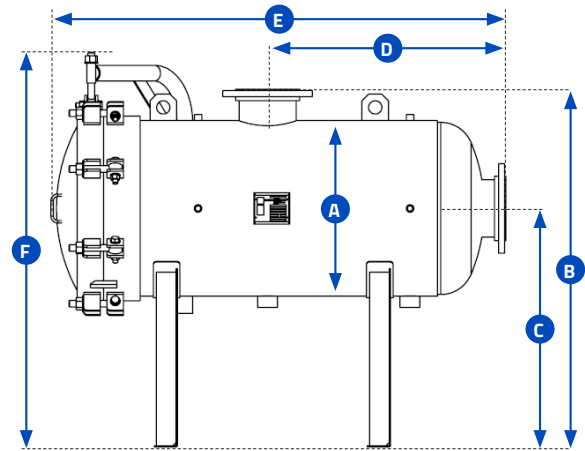
NOTE: Above dimensions are for Style E. For other options contact factory.

## CHART LEGEND

- A OUTSIDE DIAMETER
- B FLOOR TO INLET
- C FLOOR TO OUTLET
- D FACE TO FACE
- E OVERALL LENGTH
- F OVERALL HEIGHT

**E** Top In/End Out\*

Side View



## MODEL FLOW CHARTS

Housing pressure drop vs. flow rate

