

700H SERIES

Cartridge Filter Housings

- Horizontal Orientation
- ASME Design / Industrial Design

Multi-purpose industrial ASME code ("U" & "UM") and non-code design housings.



SUITABLE USES



Air & Gas



Desalination



Coolant



Water



Electronics



Coatings



Oil & Gas



Chemical



Pulp & Paper



Power



Marine



Equipment

COMPATIBLE MEDIA Accepts multiple 40", and 60" 700 Series filters.

DESIGN PRESSURE 150psig (10.3bar) @ 400 F (204.4 C)

AVAILABLE MATERIALS Vessels available in carbon or stainless steel 304 or 316. Also available in LDX2101, C276, AL6XN, RA2205 and Monel 400.

ADDITIONAL FEATURES Swing bolt closure allows for quick element change out. Equivalent to 3M housing systems.

Custom sizes, configurations, materials of construction and other options may be available. Please contact Fil-Trek

For drawings, flow charts, custom applications and filter cartridge information please visit Fil-Trek.com

700H SERIES

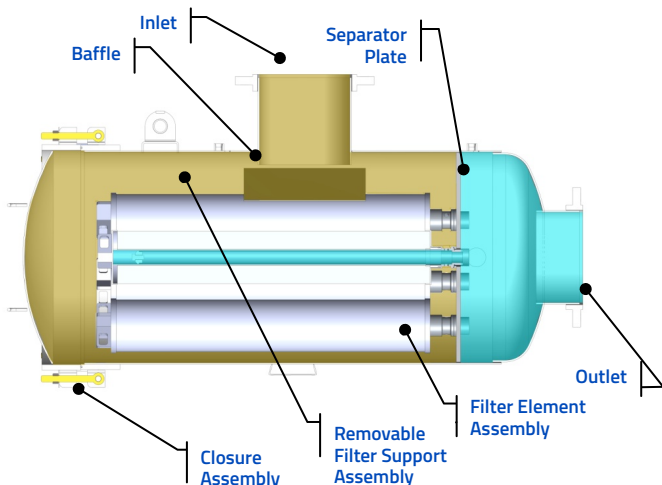
Cartridge Filter Housings

- Horizontal Orientation
- ASME Design / Industrial Design



HOUSING SPECIFICATIONS

Inlet/Outlet	3" Flange - 24" Flange
Dirty Drain	2" NPT
Clean Drain	2" NPT
Vent	½" NPT
Gauges	½" NPT
Certifications	U, UM, CE, NB, CRN



MODEL FLOW RATES

MODEL	# OF FILTERS	FLOW RATE GPM	MAX INLET / OUTLET (IN)
700H08	1	80	4
700H14	2	160	4
700H16	3	240	6
700H18	4	320	6
700H20	6	480	8
700H24	7	560	10
700H26	8	640	12
700H28	11	880	12
700H30	12	960	12
700H32	14	1,120	14
700H34	16	1,280	14
700H36	19	1,520	16
700H38	20	1,600	16
700H40	23	1,840	16
700H42	25	2,000	18
700H44	29	2,320	18
700H46	31	2,480	20
700H48	35	2,800	22
700H50	37	2,960	24

For maximum efficiency/product life, the flow rates are based on water at 80gpm/40". Actual Flow rate is dependent on fluid viscosity, cartridge micron rating, contaminant and type of media.

COMPATIBLE FILTERS

700 SERIES FILTERS

Absolute rated, pleated media filters that suit a wide range of applications. Available in micron ratings between 1 and 70.

[Click to view 700 Series](#)



MATERIAL OF CONSTRUCTION

MATERIAL OF CONSTRUCTION	MAX. OPERATING PRESSURE	MAX. DESIGN TEMP
Carbon Steel	150 psi (10.3bar)	400 F (204.4 C)
304 Stainless Steel	150 psi (10.3bar)	400 F (204.4 C)
316 Stainless Steel	150 psi (10.3bar)	400 F (204.4 C)

700H SERIES

Cartridge Filter Housings

- Horizontal Orientation
- ASME Design / Industrial Design



HOUSING OPTIONS

*Indicates standard configuration

Configuration Options (-) E – Top In/End Out*
C – Side In/End Out

Finish Options (-) – External paint "National Blue" (Standard for carbon steel housings)
(-) – Bead Blast (standard for stainless steel 304 and 316)
EP1 – Electro polish Inside/Outside
EP2 – Inside only
EP3 – Outside only
PP – Passivation

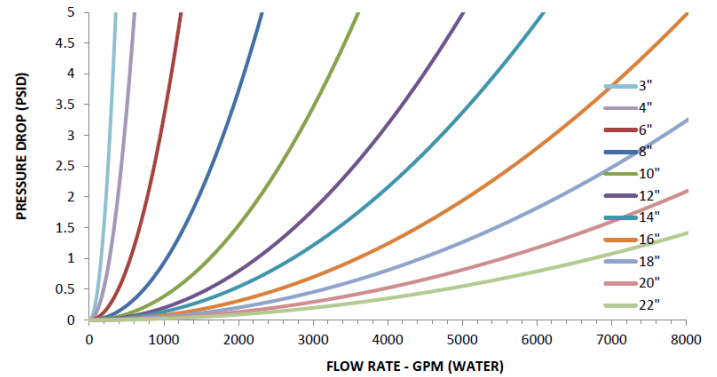
O-Ring Options (-) – Buna-N*
ED – EPDM
VI – Viton
SI – Silicone
TF – Teflon

Closure Assembly Options (-) Mechanical Davit (std for HFH12 and larger)*
(-) Hydraulic Davit (std for HFH40 and larger)*
K3 – Hydraulic Jack Davit Side
K4 – Hydraulic Jack Davit Top
**See page 5-6 for other closure options*

Accessories Direct Reading Gauge
DP Gauge
Safety Relief Valves
Vent Valves
Drain Valves
Air Eliminator

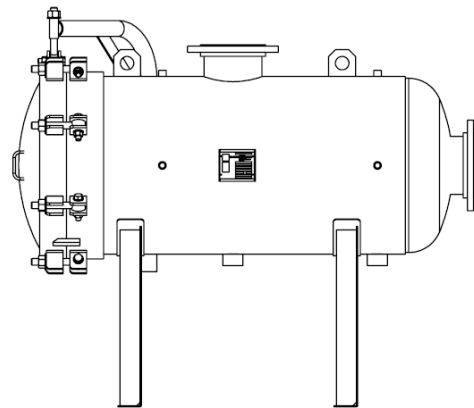
Other Options Stainless Steel bolting
Passivation
Electropolished, Inside/Out
Skid Mounting
Duplexing

FLOW CHART



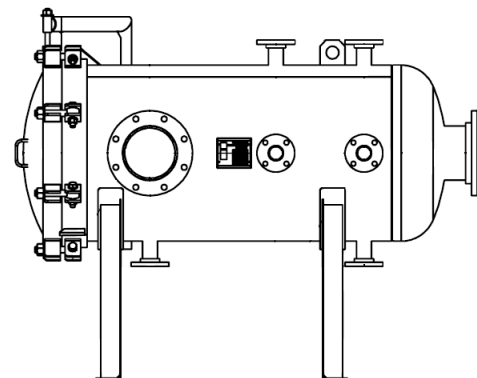
E Top In/End Out*

Side View



C Side In/End Out

Side View



700H SERIES

Cartridge Filter Housings

- Horizontal Orientation
- ASME Design / Industrial Design



MODEL DIMENSIONAL DETAILS

MODEL	SHIPPING WEIGHT (LBS)	A	B	C	D	E	F
700H08	230	8 ⁵ / ₈ "	42"	36"	50"	62"	42"
700H14	400	14 ¹ / ₂ "	50"	36"	28"	66"	54"
700H16	600	16 ¹ / ₂ "	50"	36"	28"	66"	54"
700H18	800	18 ¹ / ₂ "	50"	36"	30"	68"	54"
700H20	1000	20 ¹ / ₂ "	52"	36"	30"	68"	56"
700H24	1400	24 ¹ / ₂ "	56"	36"	34"	72"	60"
700H26	1600	26 ¹ / ₂ "	56"	36"	34"	74"	60"
700H28	1800	28 ¹ / ₂ "	58"	36"	34"	74"	62"
700H30	2000	30 ¹ / ₂ "	58"	36"	34"	74"	62"
700H32	2400	32 ¹ / ₂ "	60"	36"	36"	76"	64"
700H34	2800	34 ⁵ / ₈ "	60"	36"	36"	76"	64"
700H36	3000	36 ⁵ / ₈ "	64"	36"	42"	78"	68"
700H38	3400	38 ⁵ / ₈ "	64"	36"	42"	80"	68"
700H40	3800	40 ⁵ / ₈ "	64"	36"	42"	80"	68"
700H42	4200	42 ⁵ / ₈ "	68"	36"	44"	84"	72"
700H44	4600	44 ⁵ / ₈ "	68"	36"	44"	84"	72"
700H46	5200	46 ³ / ₄ "	70"	36"	50"	95"	74"
700H48	5600	48 ³ / ₄ "	72"	36"	50"	95"	76"
700H50	6000	50 ³ / ₄ "	78"	42"	50"	102"	82"

*Above dimensions are for 40" Element, Style E. For other options contact factory.

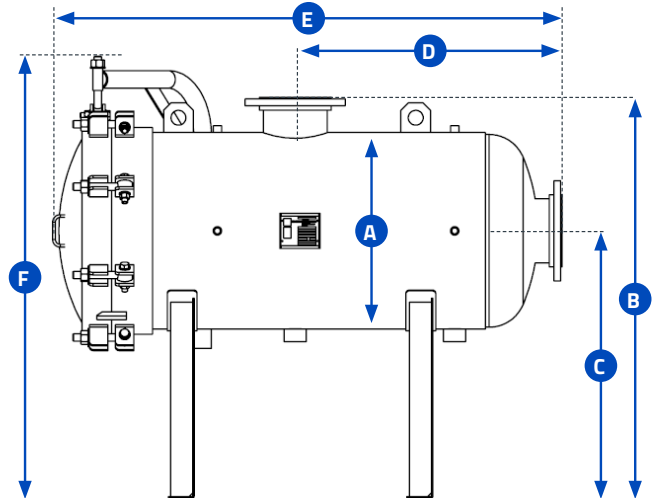
***Given dimensions are approximate only, for true dimensions contact factory.

CHART LEGEND

- A** OUTSIDE DIAMETER
- B** FLOOR TO INLET
- C** FLOOR TO OUTLET
- D** FACE TO FACE
- E** OVERALL LENGTH
- F** OVERALL HEIGHT

E Top In/End Out*

Side View



700H SERIES

Cartridge Filter Housings

- Horizontal Orientation
- ASME Design / Industrial Design



PRESSURE & TEMPERATURE DESIGNATION

DESIGNATION	MOC	PSI	TEMP (°F)	ANSI RATING
PT1	CS	285	100	ANSI 150
	SS304/SS316	270		
PT2	CS	200	400	ANSI 150
	SS304/SS316	190		
PT3	CS	740	100	ANSI 300
	SS304/SS316	720		
PT4	CS	635	400	ANSI 300
	SS304/SS316	495		
PT5	CS	1480	100	ANSI 600
	SS304/SS316	1440		

Table above based on ANSI flange ratings. Fil-Trek will design based on application pressure and temperature requirements. Max temperature may be limited to gasket material.

PRODUCT NOMENCLATURE

S6	700H	16	003	40	6F	PT1	-
MATERIAL	MODEL	HOUSING DIAMETER	# OF CARTRIDGES	LENGTH	CONNECTION TYPE	DESIGN PRESSURE	OPTIONS
(-) – Carbon S4 – SS304 S6 – SS316	700H – ASME Code E700H – Non ASME	See Table	See Table	40 60	See Table	See Pressure & Temperature Designation chart	See "Housing Options"

700H SERIES

Cartridge Filter Housings

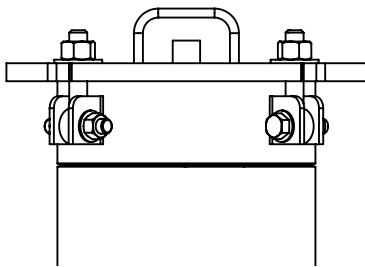
- Horizontal Orientation
- ASME Design / Industrial Design



CLOSURE AND QUICK OPENING COVER OPTIONS

Fil-Trek designs and fabricates a variety of closure and quick opening cover options to accommodate strict applications and requirements. All materials of construction are in accordance with ASME specifications and manufacturing complies with the applicable rules of the ASME Code for Pressure Piping and with the ASME Boiler and Pressure Vessel Code.

HINGED COVER

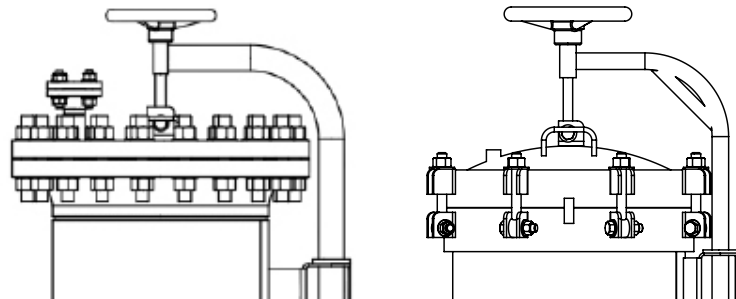


The most economical quick opening closure offered for fabricated strainers with nominal pressure applications. The swing bolt hinged cover uses an O-ring to seal. Easy to open by quickly and easily by loosening the swing bolts until they clear the holding lugs and swinging the head open on its hinge.

MECHANICAL DAVIT ASSEMBLY

Our mechanical davit assembly makes it easy for the operator to open and swing the cover away to facilitate basket or screen removal for cleaning. It is used primarily for larger strainers where cover removal is difficult and heavy. This is the most inexpensive alternative to quick release covers, especially when operating conditions require a bolted cover. Available for swing bolt and ANSI closures.

**Hydraulic davit head lift also available.



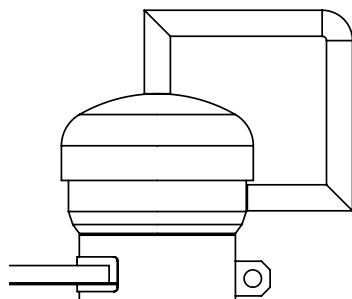
700H SERIES

Cartridge Filter Housings

- Horizontal Orientation
- ASME Design / Industrial Design



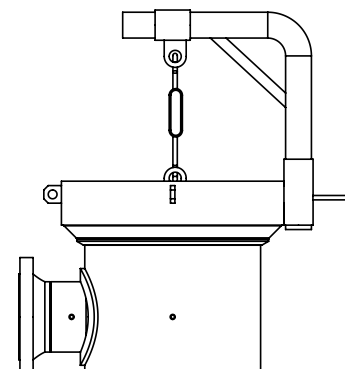
THREADED HINGED COVER



The quick open threaded hinged closure uses a cap fastened to a hub and is welded to the strainer body. The female cap is threaded onto the male hub using O-rings to seal. The O-ring prevents corrosion of the closure threads and provides a long, trouble free service. The threaded cover can be used for both nominal and high pressure applications. Available in both vertical and horizontal configurations.

YOKE CLOSURE

The Yoke hinged cover is a true ANSI rated closure and uses an O-ring seal. Used primarily on high pressure applications, it is available for 150#, 300#, 600#, 900# and 1500# ANSI ratings with a wide range of operating aids, ranging from a single lever chain and sprocket drive to completely automated.



CLOSURE COMPARISON

	COVER TYPE			
	HINGED COVER	MECHANICAL DAVIT	THREADED COVER	YOKE CLOSURE
COST	Low	Moderate	High	High
QUICK OPENING ABILITY	Good	Fair	Best	Best
LOW PRESSURE APPLICATIONS	X	X	-	-
NOMINAL PRESSURE APPLICATIONS	X	X	X	X
HIGH PRESSURE APPLICATIONS	-	X	X	X



55 Stafford Court, Cambridge, ON N1T 1B3 P (519) 623-7448 F (519) 623-8807

For more information, e-mail: info@fil-trek.com or visit Fil-Trek.com