



FRP SERIES

Fibreglass Reinforced Plastic Cartridge Filter Housings

- Universal
- Housings accepts industry standard double open end style cartridges

Up to 100psig (6.89 bar) @ 150°F (65.6°C)
standard design pressure with a safety factor of 4.



SUITABLE USES



Desalination



Chemical



Water



Marine

MEDIA

Accepts multiple 30", 40", 50" or 60" cartridges.

Housings accepts industry standard double open end style cartridges.

**Models can be designed to accept single open end cartridges.*

DESIGN PRESSURE

Up to 100psig (6.89 bar) @ 150°F (65.6°C)
standard design pressure with a safety factor of 4.

AVAILABLE MATERIALS

Steel components available in stainless steel 304 or 316 for models above FRP30

ADDITIONAL FEATURES

Swing bolt closure allows for quick element change out
Built to NSF standards

Vessel material has a longer life expectancy when dealing with corrosive liquids, such as; sea water and brackish water.

Custom sizes, configurations, materials of construction and other options may be available. Please contact Fil-Trek

For drawings, flow charts, custom applications and filter cartridge information please visit Fil-Trek.com

FRP SERIES

Fibreglass Reinforced Plastic Cartridge Filter Housings

- Universal
- Housings accept industry standard double open end style cartridges



HOUSING SPECIFICATIONS

*Indicates standard configuration

Inlet/Outlet	1" Flange -18" Flange*
Dirty Drain	2" Flanged*
Clean Drain	2" Flanged*
Vent	1"-2" Flanged*
Body Material	FRP – Fibreglass Reinforced Plastic (vinyl-ester resin)*
External Finishing	Blue Exterior Paint* Custom Paint Available
External Steel Components	SS316
External Bolting	SS304/B7

MODEL FLOW RATES

MODEL	# OF 2.5" FILTERS	MAX FLOW RATE GPM	DESIGN	CLOSURE
FRP08-005-4-3F	5	100	Flat Top/Flat Bottom	Thru-Bolt
FRP10-008-4-3F	8	160	Flat Top/Flat Bottom	Thru-Bolt
FRP12-012-4-4F	12	240	Flat Top/Flat Bottom	Thru-Bolt
FRP14-018-4-4F	18	360	Flat Top/Domed Bottom	Swing Bolt
FRP16-023-4-6F	23	460	Flat Top/Domed Bottom	Swing Bolt
FRP18-030-4-6F	30	600	Domed Top/Domed Bottom	Swing Bolt
FRP20-037-4-6F	37	740	Domed Top/Domed Bottom	Swing Bolt
FRP24-056-4-8F	56	1120	Domed Top/Domed Bottom	Swing Bolt
FRP30-085-4-10F	85	1700	Domed Top/Domed Bottom	Swing Bolt
FRP36-132-4-12F	132	2640	Domed Top/Domed Bottom	Swing Bolt
FRP42-185-4-14F	185	3700	Domed Top/Domed Bottom	Swing Bolt
FRP48-250-4-16F	250	5000	Domed Top/Domed Bottom	Swing Bolt
FRP54-320-4-18F	320	6400	Domed Top/Domed Bottom	Swing Bolt
FRP60-400-4-20F	400	8000	Domed Top/Domed Bottom	Swing Bolt

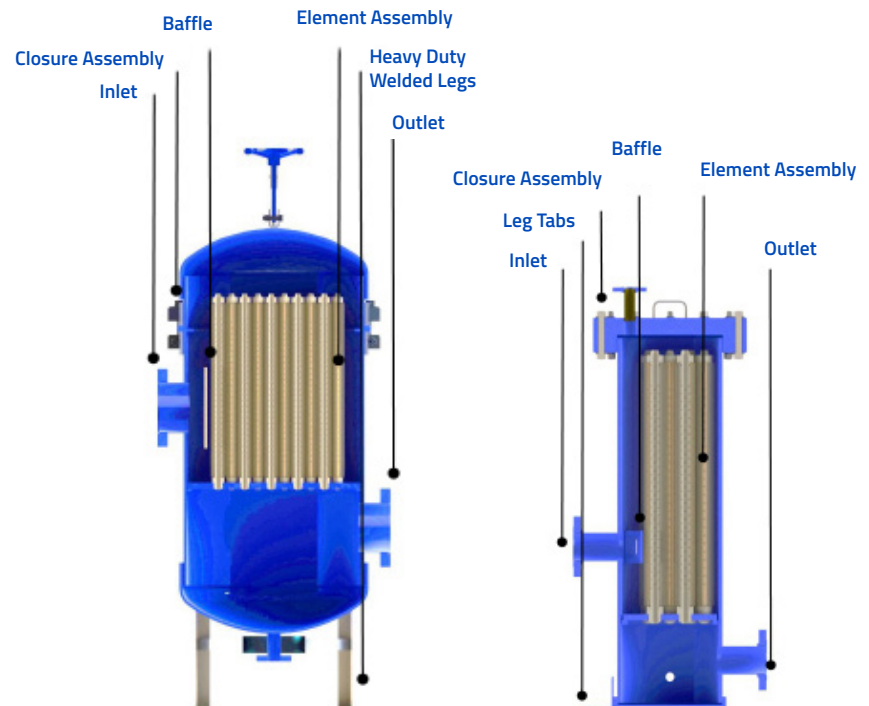
Flow rates based on water at 5gpm/10" (assuming 40" cartridges). Actual Flow rate is dependent on fluid viscosity, cartridge micron rating, contaminant and type of media.



The internal PVC post is perforated to allow for even liquid distribution amongst the entire filter cartridge length. The top seat and bottom cup are also made of PVC.

MATERIAL OF CONSTRUCTION

MATERIAL OF CONSTRUCTION	MAX. OPERATING PRESSURE	MAX. DESIGN TEMPERATURE
FRP	100 psi (6.89 bar)	150°F



FRP SERIES

Fibreglass Reinforced Plastic Cartridge Filter Housings

- Universal
- Housings accepts industry standard double open end style cartridges



HOUSING OPTIONS

*Indicates standard configuration

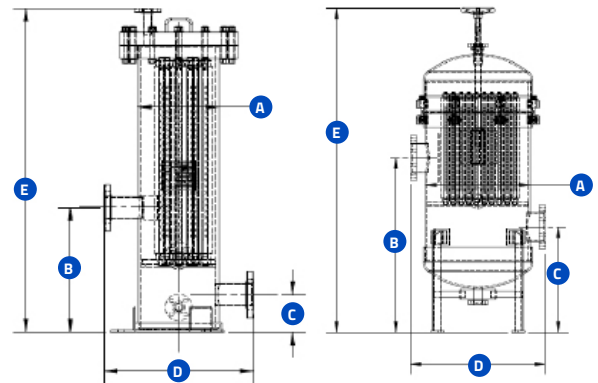
Configuration Options	A – Side in/side out*
O-Ring Options	(-) – Buna-N* ED – EPDM VI – Viton SI – Silicone
Leg Options	LT – Leg Tabs <i>(std for FRP08-FRP12)*</i> AI – Angle Iron Legs <i>(std for FRP14 and larger)*</i>
Head Lift Options	Handles <i>(std FRP08 to FRP24)*</i> Mechanical Davit <i>(std FRP30 and larger)*</i> K3 - Hydraulic Jack, Side Davit <i>Other headlift options available, please contact factory.</i>
Filter Configuration	E1 – Double Open End*
External Steel Attachments	ATS4 – SS304* ATS6 – SS316
Bolting Options	B1 – B7 Bolting* B3 – B8 Bolting B4 – B8M Xylan Coated
Other Options	Skid Mounting Duplexing
Accessories	Direct Reading Gauge DP Gauge Safety Relief Valves Vent Valves Drain Valves Air Eliminator

FRP08 TO FRP24 MODEL DIMENSIONAL DETAILS

MODEL	SHIPPING WEIGHT (LBS)	A	B	C	D	E
FRP08-005-4-3F	148	8"	20"	6"	20"	58"
FRP10-008-4-3F	182	10"	20"	7"	22"	62 ¹ / ₁₆ "
FRP12-012-4-4F	270	12"	20"	7"	24"	62 ¹ / ₁₆ "
FRP14-018-4-4F	402	14"	40"	26"	26"	86 ⁵ / ₈ "
FRP16-023-4-6F	500	16"	40"	26"	28"	86 ⁵ / ₈ "
FRP18-030-4-6F	567	18"	42"	28"	28"	97"
FRP20-037-4-6F	636	20"	42"	28"	30"	97 ¹ / ₂ "
FRP24-056-4-8F	969	24"	44"	30"	38"	101"
FRP30-085-4-10F	1418	30"	48"	32"	43"	107"
FRP36-132-4-12F	1482	36"	48"	32"	56"	107 ³ / ₄ "
FRP42-185-4-14F	2391	42"	58"	38"	56"	110 ⁵ / ₁₆ "
FRP48-250-4-16F	4614	50"	62"	38"	66"	112"
FRP54-320-4-18F	5515	56"	72"	44"	76"	117"
FRP60-400-4-20F	6415	62"	74"	46"	82"	122"

CHART LEGEND

- A** OUTSIDE DIAMETER
- B** FLOOR TO INLET
- C** FLOOR TO OUTLET
- D** FACE TO FACE
- E** OVERALL HEIGHT



FRP COMPARED TO ALTERNATE MATERIALS

- vs SS316** ■ FRP has a higher resistance to sea water
- vs Lined Vessels** ■ No risk of damaging lining with an FRP Vessel
- vs Duplex Steel** ■ FRP is a much more cost effective option

FRP SERIES

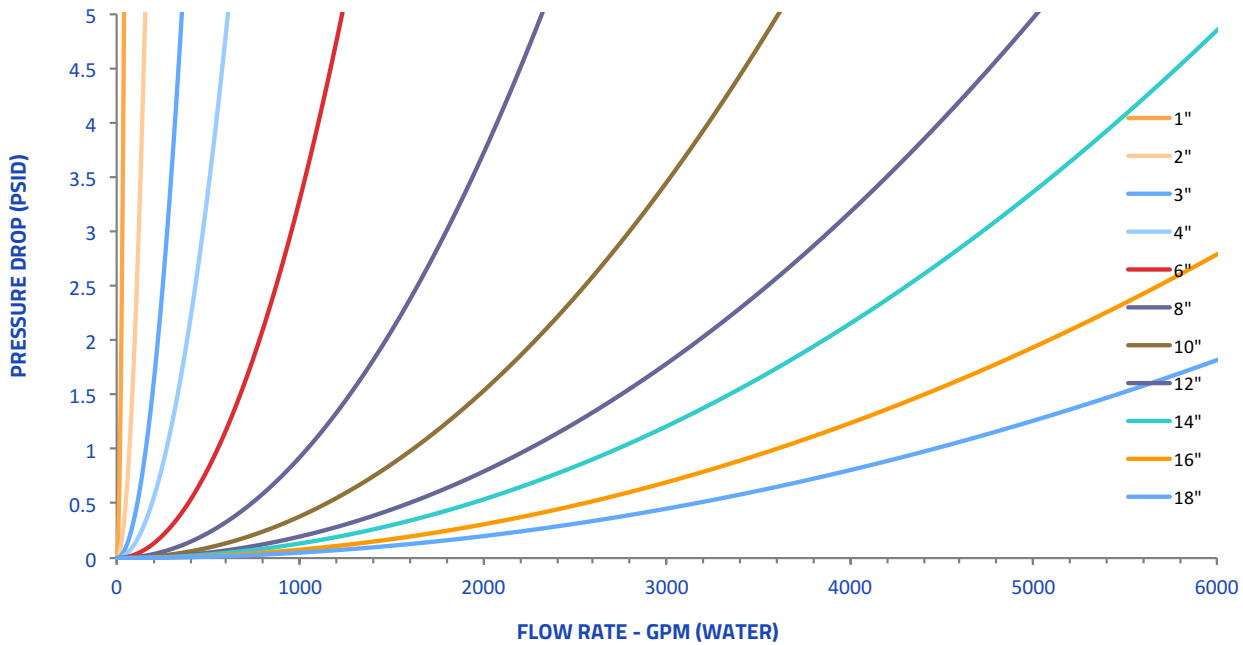
Fibreglass Reinforced Plastic Cartridge Filter Housings

- Universal
- Housings accepts industry standard double open end style cartridges



FLOW CHART

HOUSING PRESSURE DROP vs LIQUID FLOW RATE



PRODUCT NOMENCLATURE

FRP	48	250	4	16F	-
MODEL	HOUSING DIAMETER	# OF FILTERS	LENGTH	CONNECTION TYPE	OPTIONS
FRP - ASME CODE	See Table	See Table	3 - 30 4 - 40 5 - 50 6 - 60	See Table	See Housing Options