



70V SERIES

Dry Gas Filtration

- Dry Gas Housing
- Vertical Orientation
- ASME Design ("U"/"UM")

Ideal for the removal of solid contaminants from natural gas.



SUITABLE USES



Air & Gas



Oil & Gas

MEDIA Accepts single or multiple 12", 36" or 72" lg filters
**Can be designed to accept single open end elements*

COMPATIBLE FILTERS FG Series, TG Series and WGF Series

DESIGN PRESSURE 285, 740, 1000 and 1480 PSIG

STD DESIGN TEMP -20°F to 350°F (-28.8°C to 176.6°C)

AVAILABLE MATERIALS Carbon or Stainless Steel 304 or 316. Also available in LDX2101, C276, AL6XN, 2205, 2507 & Monel 400.

ADDITIONAL FEATURES Ideal for the removal of dirt, rust and pipe scale from a natural gas stream

Custom sizes, configurations, materials of construction and other options may be available. Please contact Fil-Trek

For more information, e-mail: info@fil-trek.com or visit Fil-Trek.com

70V SERIES

Vertical Dry Gas Filter

- Dry Gas Housing
- Vertical Orientation
- ASME Design



HOUSING SPECIFICATIONS

| | |
|-----------------------------|---|
| Inlet/Outlet | Flange |
| Dirty Drain | 1" NPT |
| Clean Drain | 1" NPT |
| Vent | ½" NPT on all sizes |
| Gauges | ½" NPT on all sizes |
| Closure | Swing bolt closure <i>*Limited to pressure class</i> |
| Headlift | Mechanical Davit on 70V12 and larger Hydraulic Davit on 70V40 and larger |
| Legs | Skirt |
| Standard Pressure | 150 PSIG <i>*Other pressures available, see table</i> |
| Standard Temperature | 400°F (204°C) <i>*Other temperatures available, see table</i> |
| Certifications | ASME Section VIII, Div. I U, UM, CE, NB, CRN |
| Sour Service | Available, please contact |
| Corrosion Allowance | Available, please contact |

PRESSURE & TEMPERATURE DESIGNATION

| DESIGNATION | MOC | PSI | TEMP (°F) | ANSI RATING |
|-------------|-------------|------|-----------|-------------|
| PT1 | CS | 285 | 100 | ANSI 150 |
| | SS304/SS316 | 270 | | |
| PT2 | CS | 200 | 400 | ANSI 150 |
| | SS304/SS316 | 190 | | |
| PT3 | CS | 740 | 100 | ANSI 300 |
| | SS304/SS316 | 720 | | |
| PT4 | CS | 635 | 400 | ANSI 300 |
| | SS304/SS316 | 495 | | |
| PT5 | CS | 1480 | 100 | ANSI 600 |
| | SS304/SS316 | 1440 | | |

MATERIAL OF CONSTRUCTION

| MATERIAL OF CONSTRUCTION | MAX. OPERATING PRESSURE | MAX. DESIGN TEMP |
|--------------------------|-------------------------|------------------|
| Carbon Steel | 150 psi (10.3bar) | 400°F (204°C) |
| 304 Stainless Steel | 150 psi (10.3bar) | 400°F (204°C) |
| 316 Stainless Steel | 150 psi (10.3bar) | 400°F (204°C) |

PRODUCT NOMENCLATURE

| S6 | 70V | 32 | 023 | 336 | 14F | PT1 | - |
|--------------------------------|-------|------------------|--------------|---------------------|-----------------|-----------------|-----------------------|
| MOC | MODEL | HOUSING DIAMETER | # OF FILTERS | FILTER SIZE/ LENGTH | CONNECTION TYPE | DESIGN PRESSURE | OPTIONS |
| (-) CS S4 SS304 S6 SS316 | 70V | See Table | See Table | See Table | See Table | 150 | See "Housing Options" |



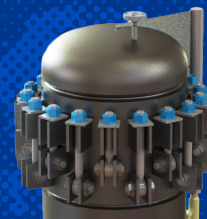
55 Stafford Court, Cambridge, ON N1T 1B3 P (519) 623-7448 F (519) 623-8807

For more information, e-mail: info@fil-trek.com or visit Fil-Trek.com

70V SERIES

Vertical Dry Gas Filter

- Dry Gas Housing
- Vertical Orientation
- ASME Design



HOUSING OPTIONS

*Indicates standard configuration

| | |
|-------------------------------------|---|
| Configuration | (-) A – Side In/Side Out* |
| Options <i>(at right)</i> | D – Same Side In/Out |
| Finish | (-) External paint “National Blue” (CS)* |
| Options | (-) Bead Blast (SS304 and SS316)* |
| Cover | (-) Swing Bolt (O-Ring Seal)* |
| Options** | ANSI Bolted Cover (Gasket Seal) Yoke Cover (O-Ring Seal) Quick Opening Threaded Cover (O-Ring Seal) Quick Opening C-Clamp Cover (O-Ring Seal) Grooved <i>*Based on standard of construction</i> <i>**See page 5-6 for closure options</i> |

| | |
|---------------|---------------------------|
| O-Ring | O-Ring Options |
| | (-) Buna-N* |
| | EPDM |
| | Viton |
| | Silicone |
| | Teflon encapsulated Viton |
| | Teflon |

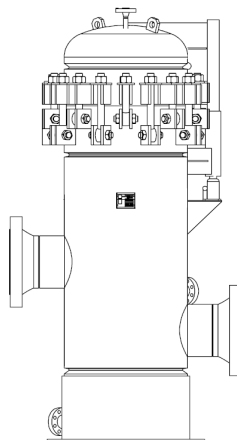
| | |
|-----------------------|-----------------------------|
| Filter Support | (-) CS support post* |
| Options | SS304 or SS316 support post |

| | |
|-----------------------------|-------------------------|
| Filter Configuration | Double Open End* |
| | SOE w/ Bolt hole |

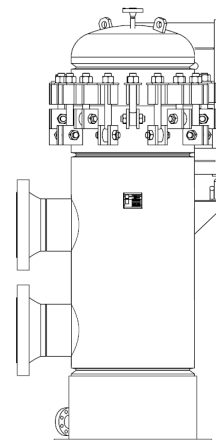
| | |
|--------------------|-------------------|
| Leg Options | (-) Skirt* |
| | Leg tabs |
| | Angle Iron Legs |

| | |
|--------------------|----------------------|
| Accessories | Direct Reading Gauge |
| | DP Gauge |
| | Safety Relief Valves |
| | Vent Valves |
| | Drain Valves |

A Side in/side out*



D Side in/Side Out, Same Side



COMPATIBLE FILTERS

TG SERIES FILTERS

99.98% efficient pleated gas filters available in polyester, polypropylene, and glass media. Available in 324, 336, 372, 536 and 636 sizes in micron ratings between 0.5 and 50.



[Click to view TG Series](#)

FG SERIES FILTERS

Fiberglass depth gas filters available in micron ratings between 0.3 and 50.



[Click to view FG Series](#)

WGF SERIES FILTERS

Fiberglass string wound media with a steel core - best used for high temperature, high pressure applications. Micron ratings from 0.3 to 50.



[Click to view WGF Series](#)

70V SERIES

Vertical Dry Gas Filter

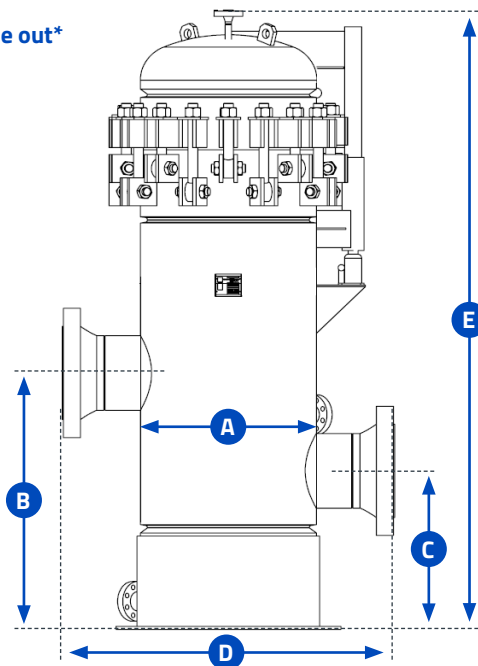
- Dry Gas Housing
- Vertical Orientation
- ASME Design



MODEL DIMENSIONAL DETAILS

| MODEL | # FILTERS | A | B | C | D | E |
|-------------------|-----------|----------------------------------|-----|-----|-----|------|
| 70V06-001-336-2F | 1 | 6 ⁵ / ₈ " | 23" | 17" | 23" | 64" |
| 70V10-002-336-4F | 2 | 10 ³ / ₄ " | 28" | 20" | 27" | 70" |
| 70V12-002-336-4F | 2 | 12 ³ / ₄ " | 31" | 23" | 29" | 73" |
| 70V12-003-336-6F | 3 | 12 ³ / ₄ " | 33" | 23" | 29" | 77" |
| 70V14-003-336-6F | 3 | 14" | 33" | 23" | 30" | 77" |
| 70V14-004-336-6F | 4 | 14" | 33" | 23" | 30" | 77" |
| 70V16-005-336-8F | 5 | 16" | 37" | 25" | 32" | 83" |
| 70V18-007-336-8F | 7 | 18" | 38" | 26" | 34" | 84" |
| 70V20-008-336-8F | 8 | 20" | 39" | 27" | 36" | 85" |
| 70V22-011-336-8F* | 11 | 22" | 41" | 28" | 40" | 88" |
| 70V24-013-336-10F | 13 | 24" | 44" | 30" | 44" | 92" |
| 70V26-016-336-12F | 16 | 26" | 48" | 32" | 46" | 98" |
| 70V28-019-336-12F | 19 | 28" | 49" | 33" | 48" | 99" |
| 70V30-021-336-14F | 21 | 30" | 53" | 35" | 50" | 105" |
| 70V32-023-336-14F | 23 | 32" | 54" | 36" | 52" | 106" |
| 70V34-028-336-16F | 28 | 34" | 58" | 38" | 54" | 110" |
| 70V36-031-336-16F | 31 | 36" | 59" | 39" | 56" | 111" |

A Side in/side out*



*Only available in swing bolt closure up to limited pressure, please contact. Specifications above do not include corrosion allowance and are for 336 elements and are reference only. Available in additional sizes up to 72" diameter. For sizing information for other element sizes please contact Fil-Trek. All quotes are complete with certified drawing which indicate accurate dimensions and weight.

CHART LEGEND

- A** OUTSIDE DIAMETER
- B** FLOOR TO INLET
- C** FLOOR TO OUTLET
- D** FACE TO FACE
- E** OVERALL HEIGHT



55 Stafford Court, Cambridge, ON N1T 1B3 P (519) 623-7448 F (519) 623-8807

For more information, e-mail: info@fil-trek.com or visit Fil-Trek.com

70V SERIES

Vertical Dry Gas Filter

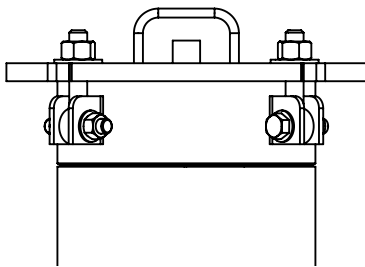
- Dry Gas Housing
- Vertical Orientation
- ASME Design



CLOSURE AND QUICK OPENING COVER OPTIONS

Fil-Trek designs and fabricates a variety of closure and quick opening cover options to accommodate strict applications and requirements. All materials of construction are in accordance with ASME specifications and manufacturing complies with the applicable rules of the ASME Code for Pressure Piping and with the ASME Boiler and Pressure Vessel Code.

HINGED COVER

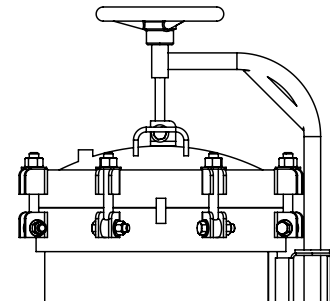
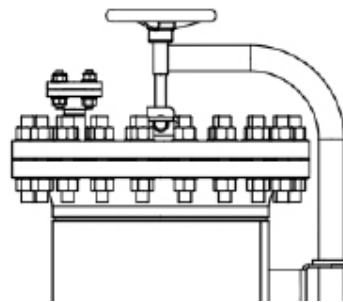


The most economical quick opening closure offered for fabricated strainers with nominal pressure applications. The swing bolt hinged cover uses an O-ring to seal. Easy to open by quickly and easily by loosening the swing bolts until they clear the holding lugs and swinging the head open on its hinge.

MECHANICAL DAVIT ASSEMBLY

Our mechanical davit assembly makes it easy for the operator to open and swing the cover away to facilitate basket or screen removal for cleaning. It is used primarily for larger strainers where cover removal is difficult and heavy. This is the most inexpensive alternative to quick release covers, especially when operating conditions require a bolted cover. Available for swing bolt and ANSI closures.

**Hydraulic davit head lift also available.



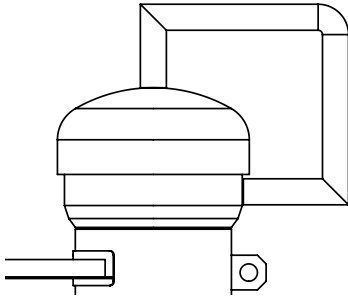
70V SERIES

Vertical Dry Gas Filter

- Dry Gas Housing
- Vertical Orientation
- ASME Design



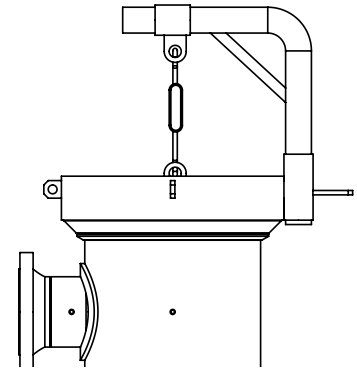
THREADED HINGED COVER



The quick open threaded hinged closure uses a cap fastened to a hub and is welded to the strainer body. The female cap is threaded onto the male hub using O-rings to seal. The O-ring prevents corrosion of the closure threads and provides a long, trouble free service. The threaded cover can be used for both nominal and high pressure applications. Available in both vertical and horizontal configurations.

YOKE CLOSURE

The Yoke hinged cover is a true ANSI rated closure and uses an O-ring seal. Used primarily on high pressure applications, it is available for 150#, 300#, 600#, 900# and 1500# ANSI ratings with a wide range of operating aids, ranging from a single lever chain and sprocket drive to completely automated.



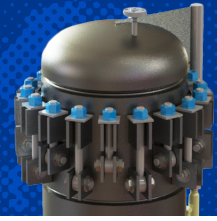
CLOSURE COMPARISON

| | COVER TYPE | | | |
|--------------------------------------|--------------|------------------|----------------|--------------|
| | HINGED COVER | MECHANICAL DAVIT | THREADED COVER | YOKE CLOSURE |
| COST | Low | Moderate | High | High |
| QUICK OPENING ABILITY | Good | Fair | Best | Best |
| LOW PRESSURE APPLICATIONS | X | X | - | - |
| NOMINAL PRESSURE APPLICATIONS | X | X | X | X |
| HIGH PRESSURE APPLICATIONS | - | X | X | X |

70V SERIES

Vertical Dry Gas Filter

- Dry Gas Housing
- Vertical Orientation
- ASME Design



GAS HOUSING SIZING WORKSHEET

Please use the following worksheet to enter as much detail as possible about the gas application you are sizing for. The minimum requirement we need to help size will be the areas marked with an '*'.

Operating Conditions

| | |
|---|---|
| Name of Gas* _____ | Name of Liquid Present _____ |
| Max. Operating Flow Rate* _____ | @ _____ Pressure (PSIG) |
| Gas Specific Gravity (Air = 1)* _____ | OR Mole Weight/Composition _____ |
| Type of System or Location in Process* _____ | Dry? <input type="checkbox"/> Wet? <input type="checkbox"/> |
| Min. Operating Pressure (PSIG)* _____ | Max. Operating Pressure (PSIG) _____ |
| Min. Operating Temperature (F) _____ | Max. Operating Temperature (F)* _____ |
| Amount of Liquids Present (GPD) _____ | Specific Gravity (Water = 1) _____ |
| Amount of Particulate Present (Parts per 100 scf) _____ | Name of Particulate _____ |
| Max. Allowable Clean Pressure Drop _____ | (Standard = 2 PSID Flange to Flange) |

Mechanical Data

| | |
|---|---|
| Design Pressure Min.* _____ Max.* _____ | Design Temperature Min.* _____ Max.* _____ |
| ASME Code Required?* _____ | Sour Service? <input type="checkbox"/> Acid Service? <input type="checkbox"/> |
| If YES, Pressure (PSI) _____ Temp (F) _____ | Corrosion Allowance (in) _____ |
| Fire Safe Service _____ | (ie All Connections/Closures Flanged?) _____ |
| Inlet/Outlet Type Flanged <input type="checkbox"/> Threaded <input type="checkbox"/> | Other (Please specify) _____ |
| Type/ANSI Rating of Flanges (#) _____ | Face RF <input type="checkbox"/> RTJ <input type="checkbox"/> Type SO <input type="checkbox"/> WN <input type="checkbox"/> LWN <input type="checkbox"/> |
| Vessel MOC CS <input type="checkbox"/> SS304 <input type="checkbox"/> SS316 <input type="checkbox"/> | Other (Please specify) _____ |
| Internals MOC CS <input type="checkbox"/> SS304 <input type="checkbox"/> SS316 <input type="checkbox"/> | Other (Please specify) _____ |

Other Details
